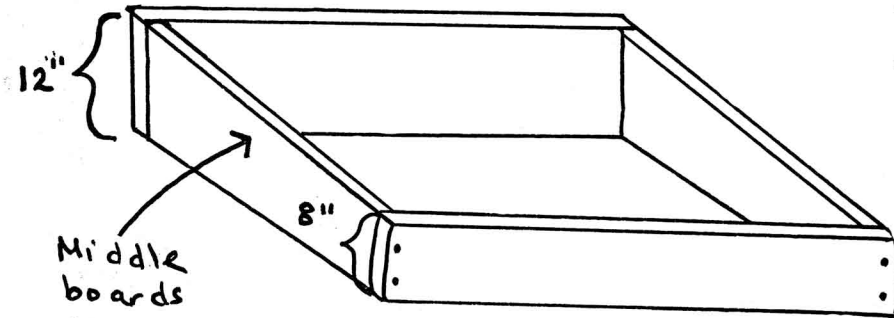


# How to BUILD YOUR OWN COLD FRAME!

Make one out of found wood!



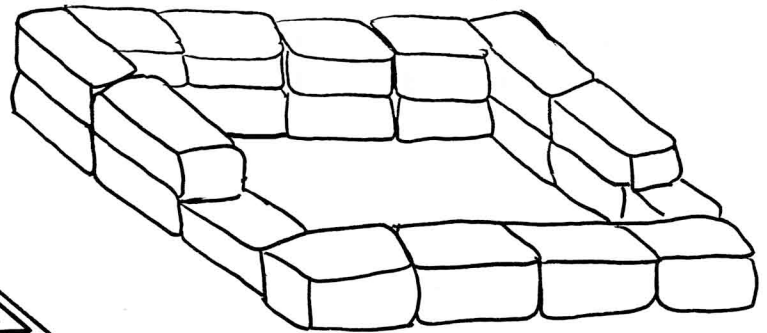
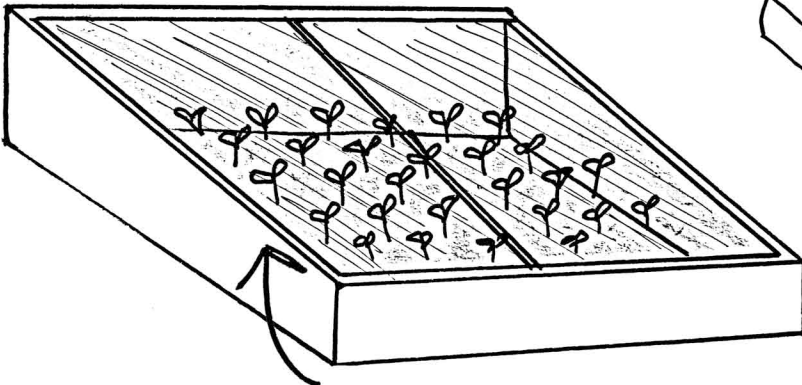
Middle boards are cut on a slant

Cut your boards to fit the window you find. There is no perfect size, but usually cold frames measure between 4 to 6 ft wide and 8 to 12 ft long.

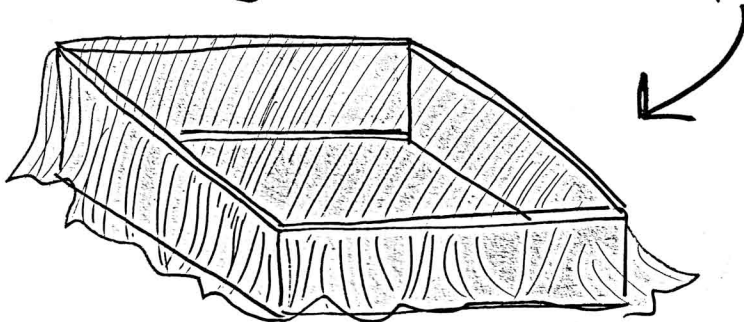
OR

Stack concrete blocks or rocks!

Next your frame needs a cover



Cover can be glass (old window) or plastic



On hot days vent your cold frame by propping cover open with a stick.

Close it up at night

**IMPORTANT**

Position your frame so the cover top is slanted towards the south, so your frame catches the low winter sun. ☀